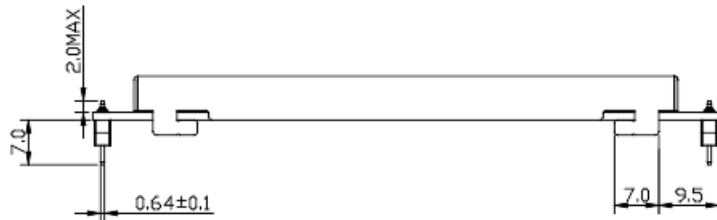
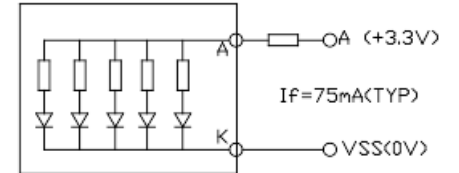
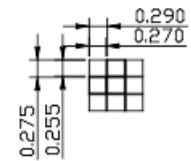
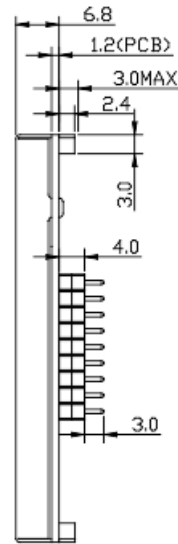
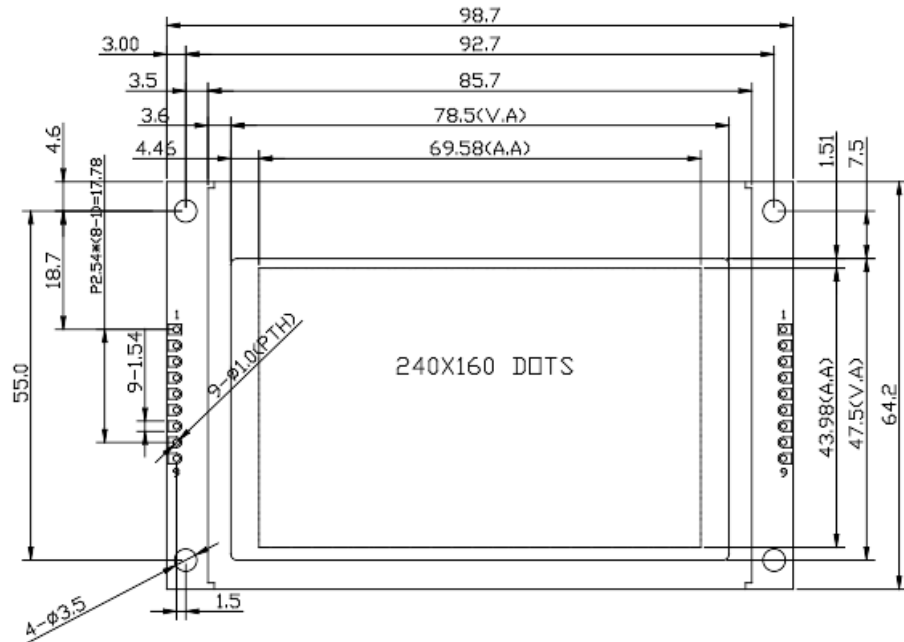


REV	ECN NO.	NATURE OF MODIFICATION	CN/DATE
△			
△			
△			



PIN NO.	SYMBOL
9	K 0V
8	A +3.3V
7	/CS
6	SCL
5	SI
4	/RST
3	A0
2	VSS
1	VDD

ITEM	PARAMETERS	ITEM	PARAMETERS
OPERATING VOLTAGE	3.3V	OPERATING TEMP	-30? TO 80?
OPERATING CURRENT	--	STORAGE TEMP	-30? TO 85?
LCD DRIVE VOLTAGE	16.7V	POLARIZER TYPE	FRONT: TRANSMISSIVE BACK: TRANFLECTIVE
DISPLAY MODE	FSTN/POSITIVE/TRANSFLECTIVE	BACKLIGHT	WHITE, VF=3.3V IF=75mA
LCD DRIVE METHOD	1/160 DUTY,1/12BIAS	ROHS STANDARD	YES ■
LCD DRIVE IC	ST7586	OTHER	--
VIEW DIRECTION	6:00		

UNIT	TOLERANCE
MM	X.X = ±0.3
3RD ANGLE	X.XX = ±0.3
ANG	= -

SCALE: 1:1
 DRAWN: Jacky Li
 CHECKED:
 APPROVED: --

AZ DISPLAY

TITLE: LCM	REV A
MODEL NO: AQM2416D-FLW-FBE-T	SH N01/1
PART NO: --	