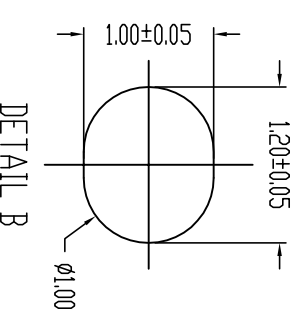
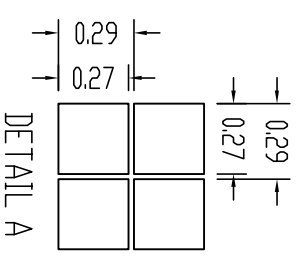
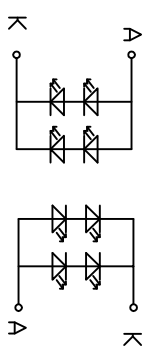
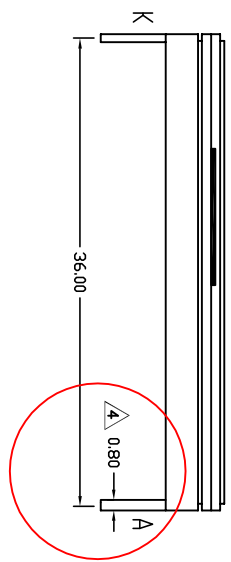
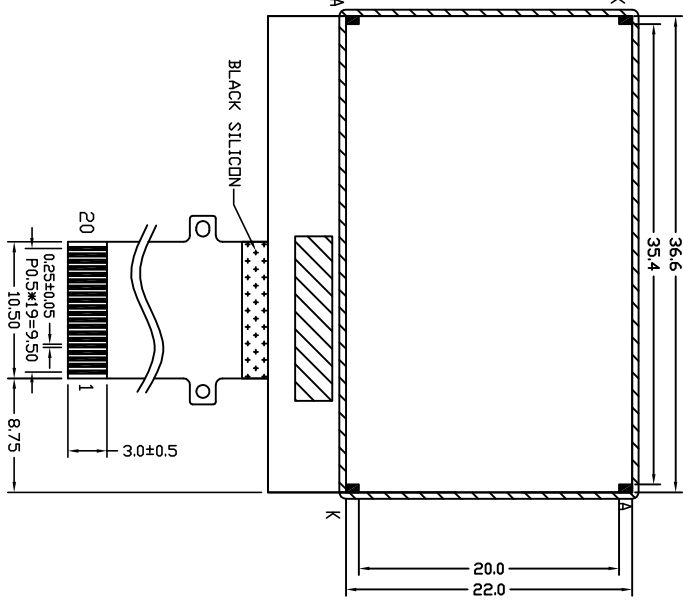
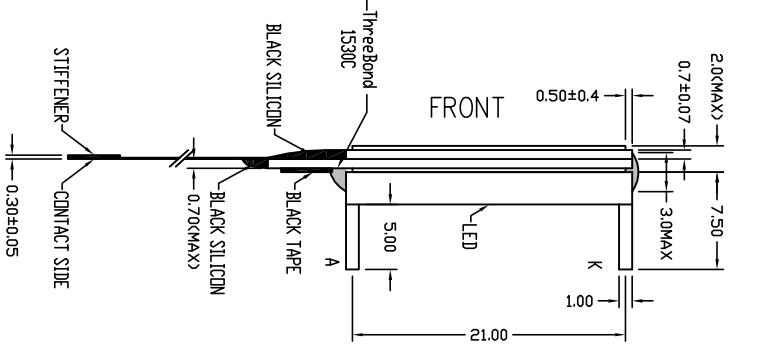
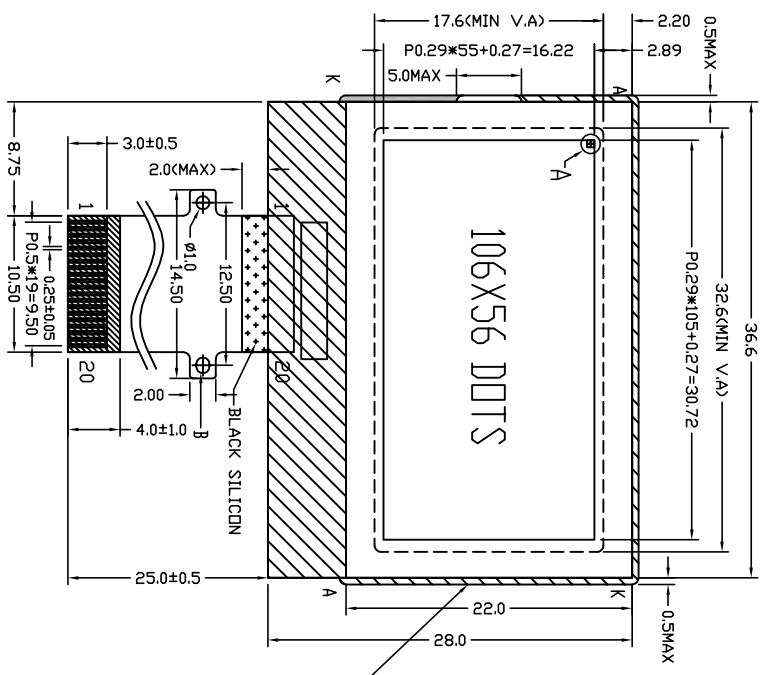


REV	ECN NO.	NATURE OF MODIFICATION	CN/DATE
1	A	First issued	2007-12-10
2	B	Added ThreeBond 1530C	2008-03-05
3	C	Added back view	2011-06-17
4	D	Change backlight PIN thickness	2012-11-28



20	N/C
19	/CS1
18	/RES
17	A0
16	SCL
15	SI
14	Vdd
13	Vss
12	Vout
11	CAP3P
10	CAP1N
9	CAP1P
8	CAP2P
7	CAP2N
6	V4
5	V3
4	V2
3	V1
2	V0
1	N/C

### LCD SPECIFICATION

ITEM	PARAMETERS	ITEM	PARAMETERS
OPERATING VOLTAGE	3.0V	OPERATING TEMP	-20°C TO 70°C
OPERATING CURRENT	-	STORAGE TEMP	-30°C TO 80°C
LCD DRIVING VOLTAGE	9.5V	POLARIZER TYPE	FRONT: TRANSMISSIVE
DISPLAY MODE	FSN/POSITIVE	BACKTRANSFLECTIVE	BACKLIGHT
LCD DRIVE METHOD	1/68DUTY 1/9BIAS	POHS STANDARD	OTHER
LCD DRIVE IC	S17568P		
VIEW DIRECTION	6300 OCLOCK		

UNIT	TOLERANCE
MM	X.X = ±0.3
3RD ANGLE	X.XX = ±0.20
ANG	ANG = -

# AZ DISPLAYS

SCALE:	1:1
DRAWN:	Jacky Li
CHECKED:	LIU HANG
APPROVED:	GU ZH
TITLE:	AQM1056B-LCM
MODEL NO.:	AQM1056B-FL-FBW
PART NO.:	--
REV	D
SH NO	1/1