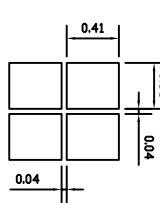
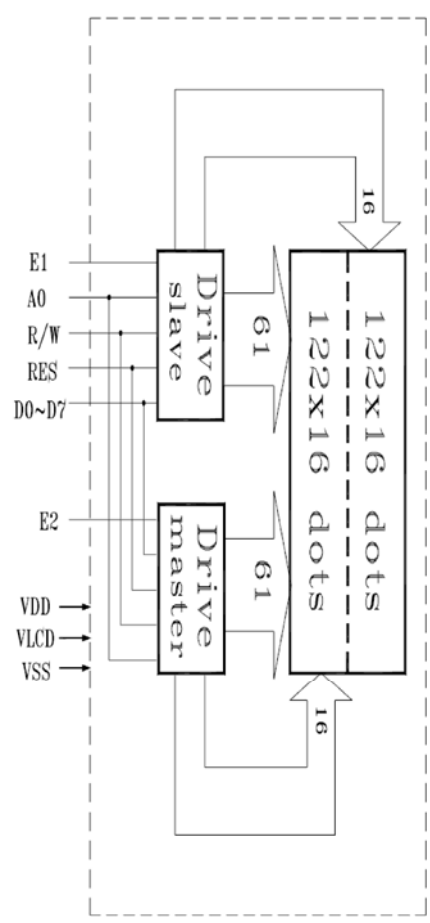


18	LED-
17	LED+(GV)
16	DB7
15	DB6
14	DB5
13	DB4
12	DB3
11	DB2
10	DB1
9	DB0
8	A0
7	R/W
6	E2
5	E1
4	RST
3	V0
2	VSS
1	VDD(GV)
PIN	SYMBOL



DISPLAY PATTERN

THE PART NUMBER IN MASS PRODUCTION

1.STN(BLUE)/NEGATIVE/TRANSMISSIVE ;BL.:WHITE LED BACKLIGHT;6 O'CLOCK;

UNIT	TOLERANCE
MM	X.X = ±0.2
3RD ANGLE	X.XX = ±0.10
ANG	ANG = -
SCALE:	1:1
DRAWN:	
CHECKED:	
APPROVED:	

**AZ DISPLAYS, INC.**

TITLE: LCM

MODEL NO: AGM1232CA SERIES

PART NO:

REV	A
SH NO	1/1

ITEM	SELECTABLE CONTENTS
DISPLAY MODE	STN YELLOW MODE STN GRAY MODE STN BLUE MODE FSTN
POLARIZER TYPE	REFLECTIVE TRANSPARENT TRANSMISSIVE POSITIVE TRANSMISSIVE NEGATIVE
VIEWING DIRECTION	6 O'CLOCK 12 O'CLOCK

LED BACKLIGHT	WHITE Y-G RED GREEN BLUE AMBER TRI-COLOR
TEMPERATURE RANGE	STANDARD TEMPERATURE WIDE TEMPERATURE
OPERATING VOLTAGE	5.0V
LED DRIVING VOLTAGE	4.5V
LED DRIVE METHOD	1/32 DUTY, 1/5 BIAS
LED DRIVE IC	PT6520 OR EQUIV

NOTE:  
1. The power supply for backlight is depended on the backlight color and the value of current-limiting resistance.

1	2	3	4	5	6	7	8
---	---	---	---	---	---	---	---