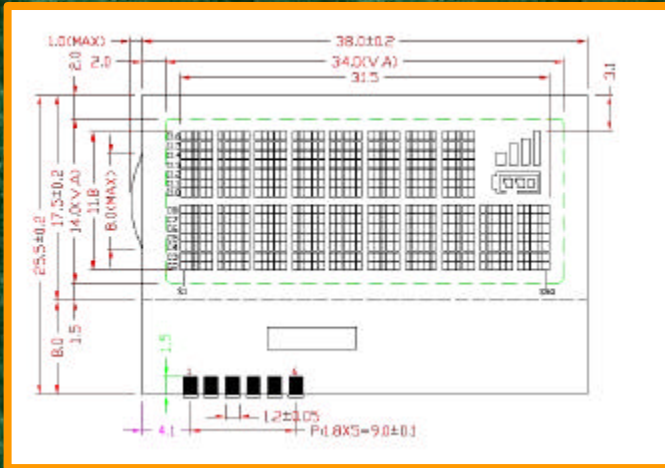


AZ DISPLAYS NEW CHIP-ON-GLASS MODULES

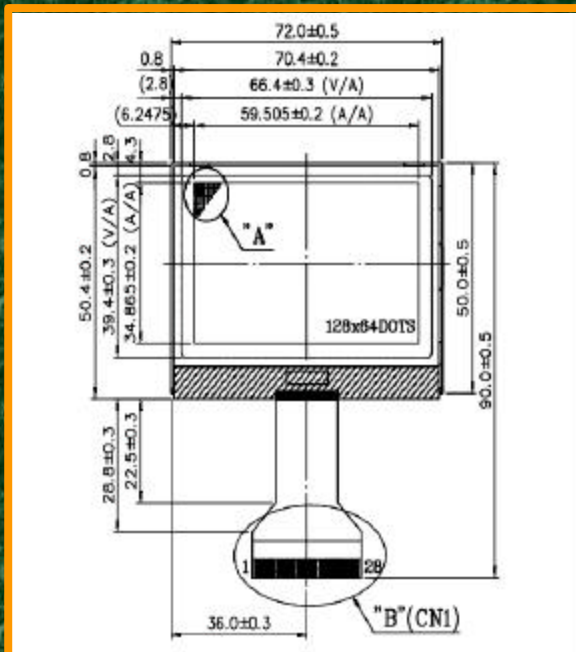
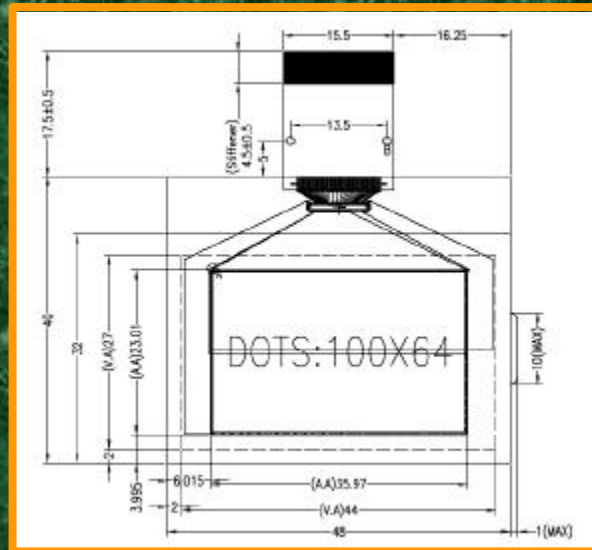


ACM1002A-FN-GBH

COG of 18-characters plus battery and bar graph icons. Serial I2C interface provided by built-in controller Philips PCF2119X. Contains built-in character generator ROM with fonts. Solderable metal pins for physical interface.

AGM1064A-FN-FBS

100x64 COG with ZIF-pluggable PFC flex connector. Customer's choice: parallel or serial interface modes. Operational at 3.0 to 3.3 VDC. Crosses to a number of standard displays in the industry.



AGM1264R-FLB-FBW

COG of 128x64 resolution with built-in Blue LED backlight (thus black graphics/characters on blue background). Backlight includes a separate cable connector. Customer's choice: parallel or serial interface modes. Mounting holes on the back.