

AZ DISPLAYS, INC.

COMPLETE LCD SOLUTIONS

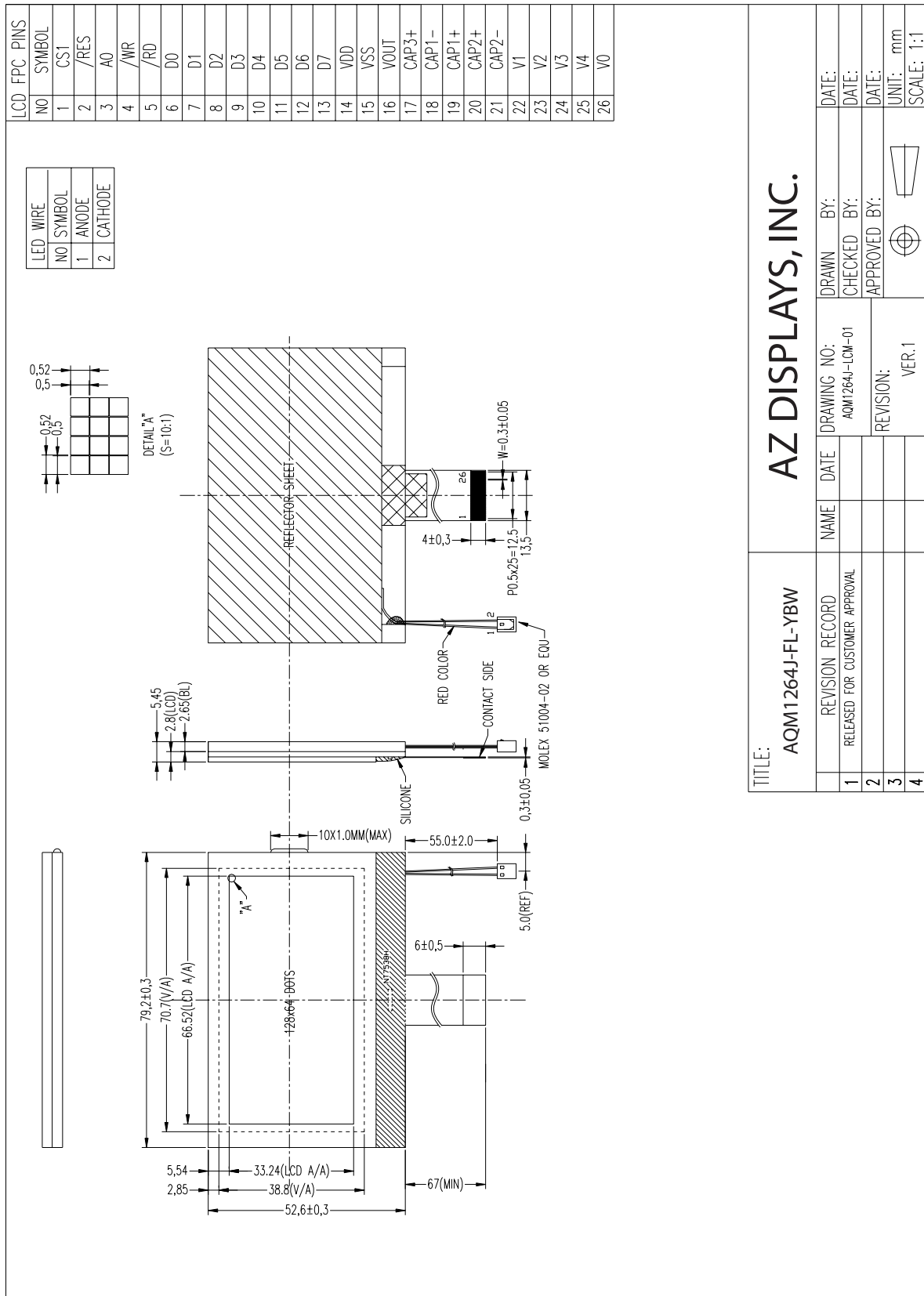
SPECIFICATIONS FOR LIQUID CRYSTAL DISPLAY

PART NUMBER: □□ □ □ AQM1264J-FL-YBW

DATE: □ □ □ □ □ □ AUGUST 21, 2007

AQM1264J-FL-YBW GRAPHIC MODULE VER1.0

1.0 MECHANICAL DRAWING



NOTE1: UNLESS OTHERWISE SPECIFIED STANDARD TOLERANCE $\pm 0.2\text{MM}$

AQM1264J-FL-YBW GRAPHIC MODULE VER1.0

2.0 MECHANICAL SPECIFICATION

1. Number of dots	128x64
2. Module dimension	79.2mm(L) x 52.6mm(W) x 5.45mm(T)
3. Active display area (A/A)	66.52mm(L)x33.24mm(W)
4. View area (V/A)	70.7mm(L)x38.8mm(W)
5. Dot Size	0.5mm(W) x 0.5mm(H)
6. Dot Pitch	0.52mm(W) x 0.52mm(H)
7. Driver method	1/65 duty, 1/9 bias, Vop=8.3V, boosting 4X
8. Display mode	Positive STN Transflective Yellow-Green
9. LCD type	STN/ YELLOW-GREEN
10. Driver IC	NT7538H COG
11. Backlight Options	Yellow-Green

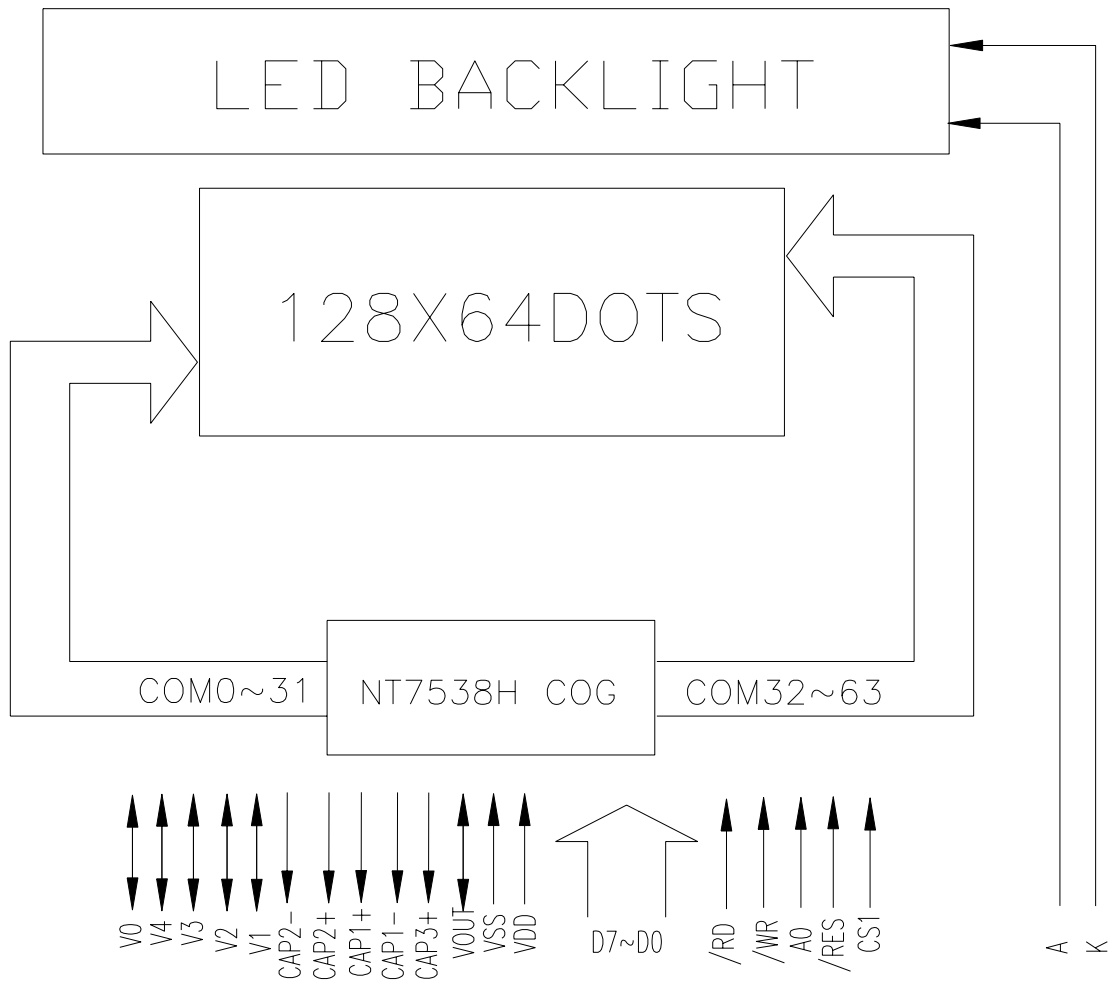
3.0 ABSOLUTE MAXIMUM RATINGS

Item	Min	Typ	Max	Unit
DC Supply Voltage(VDD)	-0.3		4.0	V
DC Supply Voltage(Vout)	-0.3		15	V
DC Supply Voltage(V0)	-0.3		15	V
Input Voltage	-0.3		VDD+0.3	V
Operating Temperature	-20		70	°C
Storage Temperature	-30		80	°C

4.0 ELECTRICAL CHARACTERISTICS

Item	Sy	mbol	Condition	Min	Typ	Max	Unit
Power Supply		$V_{DD}-V_{SS}$		1.8	3.0	3.3	V
Input voltage (high)		V_{ih}	H level	$0.8 V_{DD}$	-	V_{DD}	V
Input voltage (low)		V_{il}	L level	V_{SS}	-	$0.2 V_{DD}$	V
Output voltage (high)		V_{oh}	H level	$0.8 V_{DD}$		V_{DD}	V
Output voltage (low)		V_{ol}	L level	$0.2 V_{DD}$		V_{DD}	V
Power Supply Current		I_{dd}	Vdd=3.3V		1.3	1.8	mA
LED Power Supply Voltage		A-K		4.0	4.2	4.5	V
LED Power Supply Current		I_{BL}			120	-	mA
Luminance	L_v		Covered by LCD and Touch panel	3.5	5.5	-	cd/m ²
Luminance evenness		-	Same part(Min/Max)	70%			-

5.0 BLOCK DIAGRAM



6.0 PIN ASSIGNMENT

Pin No	I/O	Name	Description
1	I	CS1	Chip select signal. Active when low
2	I	/RES	Chip reset signal. Active when low
3	I	A0	It decide whether the data bits are data or a command. "L" is for command and "H" is for data.
4	I	/WR	Write signal. Active when low
5	I	/RD	Read signal. Active when low
6~13	I/O	D0~D7	8-bit directional data bus
14	I	VDD	Power supply
15	I	VSS	Power supply
16	I/O	VOUT	DC/DC voltage converter output
17	O	CAP3+	Pins for DC/DC voltage converter
18	O	CAP1-	
19	O	CAP1+	
20	O	CAP2+	
21	O	CAP2-	
22~26	I/O	V1~V0	LCD driver supplies voltages

7.0 LCD OPTICAL CHARACTERISTICS

Item	Symbol	Test condition	Min.	Typ.	Max.	Unit	Note
Viewing angle	1- 2	35 T=25°C, CR=2 -25	-	65	-	Degree	Note2
	1			45	-		
	2			-20	-		
				-	±35		
Contrast ratio	K1	=0°, =0°	6	-	-	-	Note3
Rise time	tr1	=0°, =0°		150	250	ms	Note4
Fall time	td1	Transflective mode		150	250	ms	Note4

Note 2: Definition of angle and .

: Angle measured from normal to direction of observation.

: Azimuth angle measured counter-clockwise from X-axis.

Note 3 : Definition of Contrast ratio

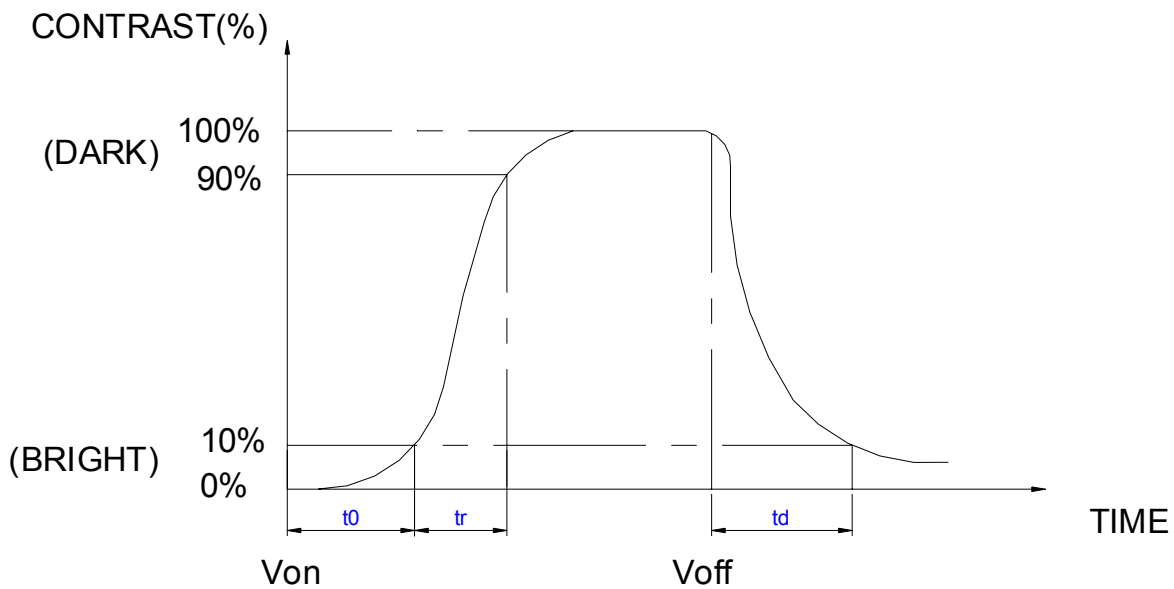
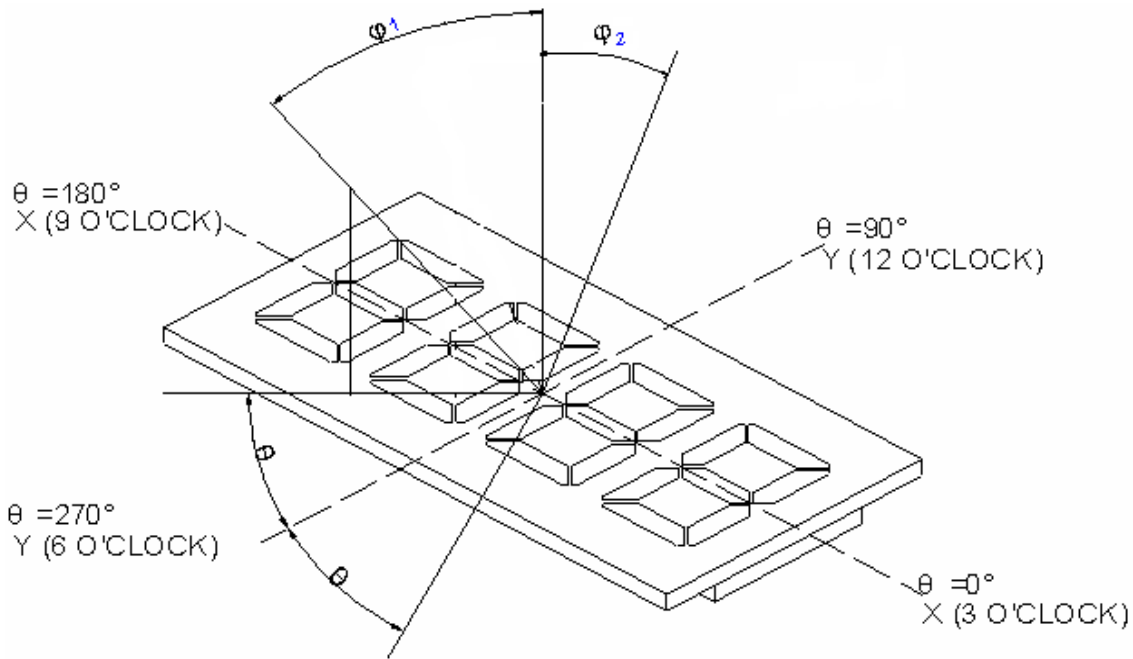
The contrast ratio is defined to be the ratio of transmission or reflection of a symbol at its "on" and "off" state.

$$\text{Contrast ratio(K)} = \frac{\text{Transmission/Reflectance at "OFF" state}}{\text{Transmission/Reflectance at "ON" state}}$$

Note 4 : Definition of response time

At specific operating voltage and temperature, the times measured by observing contrast or transmission ratio.

AQM1264J-FL-YBW GRAPHIC MODULE VER1.0



Delay time t_0 : Measured between zero and 10% with V_{on} .

Rise time t_r : Measured between 10% and 90% of LCD segment maximum response with V_{on}

Decay time t_d : With voltage switches to zero and the instant LCD segment reaches 10% of its maximum response

T_{on} : Time measured between the instant operating voltage is applied to display and the instant the display reaches 90% of its maximum response.

T_{off} : Time measured between the instant operating voltage switches to zero and the instant the display reaches 10% of its maximum response.

LIQUID CRYSTAL PANEL LIFE TIME

50000 hours minimum at $25^{\circ}\text{C} \pm 10^{\circ}\text{C}$ and 65% RH maximum.

Note: Definition of life time : the time up to occurrence of any of the following:

Contrast reduces to 30% of the initial value.

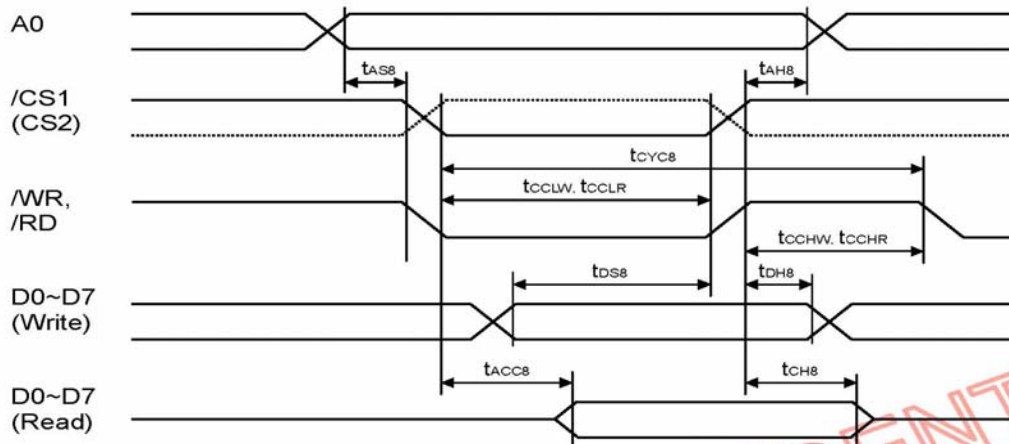
Current consumption becomes three times the initial value.

Orientation deteriorates significantly.

8.0 TIMING CHARACTERISTICS

AC Characteristics

1. System Buses Read/Write Characteristics (for 8080 Series MPU)



(VDD = 2.7 ~ 3.6V, Ta = -40 ~ +85°C)

Symbol	Parameter	Min.	Typ.	Max.	Unit	Condition
T _{AH8}	Address hold time	0	-	-	ns	A0
T _{AS8}	Address setup time	0	-	-	ns	
tcyc8	System cycle time	240	-	-	ns	
tcclw	Control low pulse width (write)	90	-	-	ns	/WR
tcclr	Control low pulse width (read)	120	-	-	ns	/RD
tcchw	Control high pulse width (write)	100	-	-	ns	/WR
tcchr	Control high pulse width (read)	60	-	-	ns	/RD
T _{DS8}	Data setup time	40	-	-	ns	D0~D7
T _{DH8}	Data hold time	0	-	-	ns	
tacc8	/RD access time	-	-	140	ns	D0~D7, CL = 100pF
T _{CH8}	Output disable time	5	-	50	ns	

System Buses Read/Write Characteristics (for 8080 Series MPU) (continued)

(VDD = 1.8 ~ 2.7V, Ta = -40 ~ +85°C)

Symbol	Parameter	Min.	Typ.	Max.	Unit	Condition
t _{AH8}	Address hold time	0	-	-	ns	A0
t _{AS8}	Address setup time	0	-	-	ns	
tcyc8	System cycle time	400	-	-	ns	
tcclw	Control low pulse width (write)	150	-	-	ns	/WR
tcclr	Control low pulse width (read)	150	-	-	ns	/RD
tcchw	Control high pulse width (write)	120	-	-	ns	/WR
tcchr	Control high pulse width (read)	120	-	-	ns	/RD
t _{DS8}	Data setup time	80	-	-	ns	D0~D7
t _{DH8}	Data hold time	0	-	-	ns	
tacc8	/RD access time	-	-	240	ns	D0~D7, CL = 100pF
t _{CH8}	Output disable time	10	-	100	ns	

*1. The input signal rise time and fall time (tr, tf) is specified at 15ns or less.

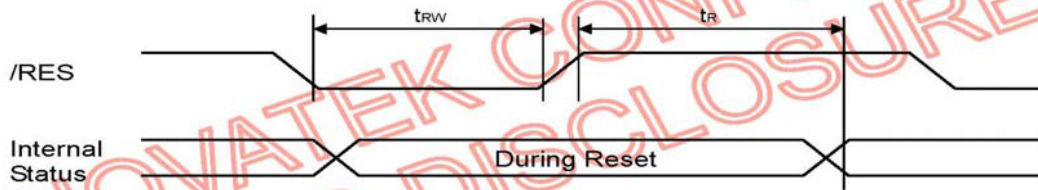
(tr + tf) < (tcyc8 - tcclw - tcchw) for write, (tr + tf) < (tcyc8 - tcclr - tcchr) for read.

*2. All timing is specified using 20% and 80% of VDD as the reference.

*3. tcclw and tcclr are specified as the overlap interval when /CS1 is low (CS2 is high) and /WR or /RD is low.

AQM1264J-FL-YBW GRAPHIC MODULE VER1.0

Reset Timing



(VDD = 2.7 ~ 3.6V, Ta = -40 ~ +85°C)

Symbol	Parameter	Min.	Typ.	Max.	Unit	Condition
tr	Reset Time	-	-	1.0	μs	
trw	Reset low pulse width	10	-	-	μs	/RES

(VDD = 1.8 ~ 2.7V, Ta = -40 ~ +85°C)

Symbol	Parameter	Min.	Typ.	Max.	Unit	Condition
tr	Reset Time	-	-	2.0	μs	
trw	Reset low pulse width	20	-	-	μs	/RES

9.0 COMMAND SETTING DESCRIPTION

Command	A0	/RD	/WR	Code								Hex	Function		
				D7	D6	D5	D4	D3	D2	D1	D0				
(1) Display OFF	0	1	0	1	0	1	0	1	1	1	0	1	AEh AFh	Turn on LCD panel when high, and turn off when low	
(2) Display Start Line Set	0	1	0	0	1	Display Start Address						40h to 7Fh	Specifies RAM display line for COM0		
(3) Page Address Set	0	1	0	1	0	1	1	Page Address				B0h to B8h	Set the display data RAM page in Page Address register		
(4) Column Address Set	0	1	0	0	0	0	1	Higher Column Address				00h to 18h	Set 4 higher bits and 4 lower bits of column address of display data RAM in register		
	0	1	0	0	0	0	0	Lower Column Address							
(5) Read Status	0	0	1	Status				0	0	0	0	0	XX	Reads the status information	
(6) Write Display Data	1	1	0	Write Data									XX	Write data in display data RAM	
(7) Read Display Data	1	0	1	Read Data									XX	Read data from display data RAM	
(8) ADC Select	0	1	0	1	0	1	0	0	0	0	0	1	A0h A1h	Set the display data RAM address SEG output correspondence	
(9) Normal/Reverse Display	0	1	0	1	0	1	0	0	1	1	0	1	A6h A7h	Normal indication when low, but full indication when high	
(10) Entire Display ON/OFF	0	1	0	1	0	1	0	0	1	0	0	1	A4h A5h	Select normal display (0) or entire display on	
(11) LCD Bias Set	0	1	0	1	0	1	0	0	0	0	1	0	A2h A3h	Sets LCD driving voltage bias ratio	
(12) Read-Modify-Write	0	1	0	1	1	1	0	0	0	0	0	0	E0h	Increments column address counter during each write	
(13) End	0	1	0	1	1	1	0	1	1	1	0	0	EEh	Releases the Read-Modify-Write	
(14) Reset	0	1	0	1	1	1	0	0	0	0	1	0	E2h	Resets internal functions	
(15) Common Output Mode Select	0	1	0	1	1	0	0	0	1	*	*	*	C0h to CFh	Select COM output scan direction *: invalid data	
(16) Power Control Set	0	1	0	0	0	1	0	1	Operation Status				28h to 2Fh	Select the power circuit operation mode	
(17) V0 Voltage Regulator Internal Resistor ratio Set	0	1	0	0	0	1	0	0	Resistor Ratio				20h to 27h	Select internal resistor ratio Rb/Ra mode	
(18) Electronic Volume mode Set Electronic Volume Register Set	0	1	0	1	0	0	0	0	0	0	0	1	81h		
	0	1	0	*	*	Electronic Control Value						XX	Sets the V0 output voltage electronic volume register		
(19) Set Static indicator ON/OFF Set Static Indicator Register	0	1	0	1	0	1	0	1	1	0	0	1	ACh ADh	Sets static indicator ON/OFF 0: OFF, 1: ON	
	0	1	0	*	*	*	*	*	*	Mode			XX	Sets the flash mode	
(20) Power Save	0	1	0	-	-	-	-	-	-	-	-	-	-	-	Compound command of Display OFF and Entire Display ON
(21) NOP	0	1	0	1	1	1	0	0	0	0	1	1	E3h	Command for non-operation	

AQM1264J-FL-YBW GRAPHIC MODULE VER1.0

Command	A0	/RD	/WR	Code								Hex	Function	
				D7	D6	D5	D4	D3	D2	D1	D0			
(22)Oscillation Frequency Select	0	1	0	1	1	1	0	0	1	0	0	1	E4h E5h	Select the oscillation frequency
(23)Partial Display mode Set	0	1	0	1	0	0	0	0	0	1	0	1	82h 83h	Enter/Release the partial display mode
(24)Partial Display Duty Set	0	1	0	0	0	1	1	0	Duty Ratio			30h 37h	Sets the LCD duty ratio for partial display mode	
(25)Partial Display Bias Set	0	1	0	0	0	1	1	1	Bias Ratio			38h 3Fh	Sets the LCD bias ratio for partial display mode	
(26)Partial Start Line Set	0	1	0	1	1	0	1	0	0	1	1		D3h	Enter Partial Start Line Set
Partial Start Line Set	0	1	0	1	1	Partial Start Line						XX	Sets the LCD Number of partial display start line	
(27)N-Line Inversion Set	0	1	0	1	0	0	0	0	1	0	1		85h	Enter N-Line inversion
Number of Line Set	0	1	0	*	*	*	Number of Line						XX	Sets the number of line used for N-Line inversion
(28)N-Line Inversion Release	0	1	0	1	0	0	0	0	1	0	0		84h	Exit N-Line Inversion
(29)DC/DC Clock Set	0	1	0	1	1	1	0	0	1	1	0		E6h	Set DC/DC Clock Frequency
DC/DC Clock Division Set	0	1	0	1	1	0	0	Clock Division				XX	Set the Division of DC/DC Clock Frequency	
(30)Test Command	0	1	0	1	1	1	1	*	*	*	*		F1h to FFh	IC test command. Do not use!
(31)Test Mode Reset	0	1	0	1	1	1	1	0	0	0	0		F0h	Command of test mode reset

Note: Do not use any other command, or system malfunction may result.

10.0 RELIABILITY SPECIFICATION

ITEM	CONDCONDITIONS
High temperature operation	70°C for 96 hours
Low temperature operation	-20°C for 96 hours
High humidity, High temperature operation	40°C,90%RH for 96 hours
High temperature storage	80°C for 96 hours
Low temperature storage	-30°C for 96 hours
Temperature cycling(storage)	80°C (30 min) ↓ ↑ 25°C (5 min) ↓ ↑ -30°C (30 min) CYCLES: 5
ESD (Electrostatic Discharge)	+/-8KV air discharge to LCD module. +/-2KV discharge is applied to VDD&VSS of LCD module. Test for functionality and No missing line after discharge.